



FUENTES SWITCHING, DIMERIZABLES, WATERPROOF

FUENTE SWITCHING 18W



De fácil instalación gracias a su tamaño compacto.
Alta eficiencia de transferencia.
100% Loaded. Protección contra corto-circuito.

VOLTAJE DE SALIDA 12V CARGA 18 W EFICIENCIA 83%

FUENTE SWITCHING 18W

ESPECIFICACIONES TÉCNICAS

CÓDIGO 8PS120018DCU

OUTPUT

DC Voltage 12V
Rated current 1.5A
Rated power 18W
Ripple & noise (max) <100mVp-p
Setup, rise time 1500ms/230VAC
Line regulation 1%
Load regulation 1%

INPUT

Voltage 170~250V
Frecuency 50/60Hz
Efficiency 83%
Power factor 0.6
Current 230V:0.30A max.
Inrush current 40A

PROTECTION

Open circuit Yes, cut-off mode if overload 10~15%
Short circuit Yes, hiccup mode, recovers automatically after fault condition is removed

ENVIRONMENT AND OTHERS

Working temperature -30~60°C
Working humidity 20~90%RH
Storage temp. -40~80°C
Storage humidity 10~95%RH
Life spam 50K hours @ 20 °C working temperature

STANDARD REQUEST

Safety EN61347-2-13
Withstand voltage I/P-0/P:3.75KVAC I/P-GND:1.5KVAC O/P-GND:0.5KVAC
Isolation resistance I/P-0/P:>100M Ohms / 500VDC / 25°C / 70%RH

DIMENSIONES 78x48x21 mm



FUENTE SWITCHING 36W



De fácil instalación gracias a su tamaño compacto.
Alta eficiencia de transferencia.
100% Loaded. Protección contra corto-circuito.

VOLTAJE DE SALIDA 12V / 24V CARGA 36 W EFICIENCIA 84%

FUENTE SWITCHING 36W

ESPECIFICACIONES TÉCNICAS

CÓDIGO	8PS120036DCU	8PS240036DCU
OUTPUT		
DC Voltage	12V	24V
Rated current	3A	1.5A
Rated power	36W	36W
Ripple & noise (max)	<100mVp-p	<100mVp-p
Setup, rise time	1500ms/230VAC	1500ms/230VAC
Line regulation	1%	1%
Load regulation	1%	1%
INPUT		
Voltage	100~250V	100~250V
Frecuency	50/60Hz	50/60Hz
Efficiency	84%	84%
Power factor	0.6	0.6
Current	230V:0.45 max.	230V:0.45 max.
Inrush current	40A	40A
PROTECTION		
Open circuit	Yes, output voltage drops if overload 10~15%	Yes, output voltage drops if overload 10~15%
Short circuit	Yes, hiccup mode, recovers automatically after fault condition is removed	
ENVIRONMENT AND OTHERS		
Working temperature	-30~60°C	-30~60°C
Working humidity	20~90%RH	20~90%RH
Storage temp.	-40~80°C	-40~80°C
Storage humidity	10~95%RH	10~95%RH
Life spam	50K hours @ 20 °C working temperature	50K hours @ 20 °C working temperature
STANDARD REQUEST		
Safety	EN61347-2-13	EN61347-2-13
Withstand voltage	I/P-0/P:3.75KVAC I/P-GND:1.5KVAC	I/P-0/P:3.75KVAC I/P-GND:1.5KVAC
Isolation resistance	I/P-0/P:>100M Ohms / 500VDC / 25°C / 70%RH	I/P-0/P:>100M Ohms / 500VDC / 25°C / 70%RH
DIMENSIONES	90.4x58.4x38.7 mm	



FUENTE SWITCHING 60W



De fácil instalación gracias a su tamaño compacto.
Alta eficiencia de transferencia.
100% Loaded. Protección contra corto-circuito.

VOLTAJE DE SALIDA 12V / 24V CARGA 60 W EFICIENCIA 82%

FUENTE SWITCHING 60W

ESPECIFICACIONES TÉCNICAS

CÓDIGO	8PS120060DCU	8PS240060DCU
OUTPUT		
DC Voltage	12V	24V
Rated current	5A	2.5A
Rated power	60W	60W
Ripple & noise (max)	<100mVp-p	<1500mVp-p
Setup, rise time	1500ms/230VAC	1500ms/230VAC
Line regulation	1%	1%
Load regulation	1%	1%
INPUT		
Voltage	170~250V	170~250V
Frecuency	50/60Hz	50/60Hz
Efficiency	82%	82%
Power factor	0.6	0.6
Current	230V:1A max.	230V:1A max.
Inrush current	40A	40A
PROTECTION		
Open circuit	Yes, output voltage drops if overload 10~20%	Yes, output voltage drops if overload 10~20%
Short circuit	Yes, hiccup mode, recovers automatically after fault condition is removed	
ENVIRONMENT AND OTHERS		
Working temperature	-30~60°C	-30~60°C
Working humidity	20~90%RH	20~90%RH
Storage temp.	-40~80°C	-40~80°C
Storage humidity	10~95%RH	10~95%RH
Life spam	50K hours @ 20 °C working temperature	50K hours @ 20 °C working temperature
STANDARD REQUEST		
Safety	EN61347-2-13	EN61347-2-13
Withstand voltage	I/P-0/P:3.75KVAC I/P-GND:1.5KVAC	I/P-0/P:3.75KVAC I/P-GND:1.5KVAC
Isolation resistance	I/P-0/P:>100M Ohms / 500VDC / 25°C / 70%RH	I/P-0/P:>100M Ohms / 500VDC / 25°C / 70%RH
DIMENSIONES	110x78x35 mm	



FUENTE SWITCHING 120W



De fácil instalación gracias a su tamaño compacto.
Alta eficiencia de transferencia.
100% Loaded. Protección contra corto-circuito.

VOLTAJE DE SALIDA 12V / 24V CARGA 120 W EFICIENCIA 82%

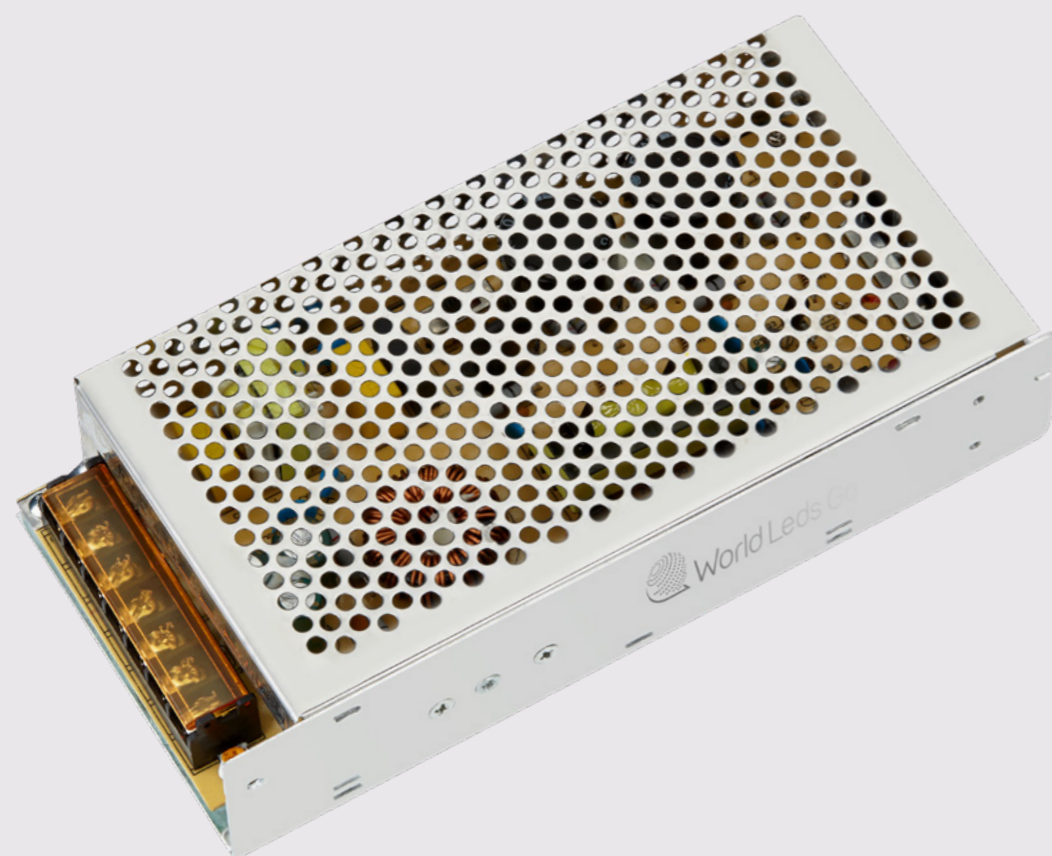
FUENTE SWITCHING 120W

ESPECIFICACIONES TÉCNICAS

CÓDIGO	8PS120120DCU	8PS240120DCU
OUTPUT		
DC Voltage	12V	24V
Rated current	10A	5A
Rated power	120W	120W
Ripple & noise (max)	<500mVp-p	<500mVp-p
Setup, rise time	1500ms/230VAC	1500ms/230VAC
Line regulation	1%	1%
Load regulation	1%	1%
INPUT		
Voltage	170~250V	170~250V
Frecuency	50/60Hz	50/60Hz
Efficiency	82%	82%
Power factor	0.6	0.6
Current	230V:1.3A max.	230V:1.3A max.
Inrush current	40A	40A
PROTECTION		
Open circuit	Yes, output voltage drops if overload 10~20%	Yes, output voltage drops if overload 10~20%
Short circuit	Yes, hiccup mode, recovers automatically after fault condition is removed	
ENVIRONMENT AND OTHERS		
Working temperature	-30~60°C	-30~60°C
Working humidity	20~90%RH	20~90%RH
Storage temp.	-40~80°C	-40~80°C
Storage humidity	10~95%RH	10~95%RH
Life spam	50K hours @ 20 °C working temperature	50K hours @ 20 °C working temperature
STANDARD REQUEST		
Safety	EN61347-2-13	EN61347-2-13
Withstand voltage	I/P-0/P:3.75KVAC I/P-GND:1.5KVAC	I/P-0/P:3.75KVAC I/P-GND:1.5KVAC
Isolation resistance	I/P-0/P:>100M Ohms / 500VDC / 25°C / 70%RH	I/P-0/P:>100M Ohms / 500VDC / 25°C / 70%RH
DIMENSIONES	160.2x97.7x38.7 mm	



FUENTE SWITCHING 200W



De fácil instalación gracias a su tamaño compacto.
Alta eficiencia de transferencia.
100% Loaded. Protección contra corto-circuito.

VOLTAJE DE SALIDA 12V CARGA 200 W EFICIENCIA 82%

FUENTE SWITCHING 200W

ESPECIFICACIONES TÉCNICAS

CÓDIGO 8PS120200DCU

OUTPUT

DC Voltage	12V
Rated current	16.7A
Rated power	200W
Ripple & noise (max)	<500mVp-p
Setup, rise time	1500ms/120VAC
Line regulation	1%
Load regulation	1%

INPUT

Voltage	170~250V
Frecuency	50/60Hz
Efficiency	82%
Power factor	0.6
Current	230V:2.4A max.
Inrush current	40A

PROTECTION

Open circuit	Yes, cut-off mode. Output shuts down if overloaded
Short circuit	Yes, output shut down, recovers automatically after fault condition is removed

ENVIRONMENT AND OTHERS

Working temperature	-30~60°C
Working humidity	20~95%RH
Storage temp.	-40~80°C
Storage humidity	10~95%RH
Life spam	50K hours @ 20 °C working temperature

STANDARD REQUEST

Safety	EN61347-2-13
Withstand voltage	I/P-0/P:1500VAC/1min/<5mA
Isolation resistance	I/P-0/P:>100M Ohms / 500VDC / 25°C / 70%RH

DIMENSIONES 199.5x98.6x42.4 mm



FUENTE SWITCHING 240W



De fácil instalación gracias a su tamaño compacto.
Alta eficiencia de transferencia.
100% Loaded. Protección contra corto-circuito.

VOLTAJE DE SALIDA 12V / 24V CARGA 240 W EFICIENCIA 85%

FUENTE SWITCHING 240W

ESPECIFICACIONES TÉCNICAS

CÓDIGO	8PS120240DCU	8PS240240DCU
DC Voltage	12V	24V
Rated current	20A	10A
Rated power	240W	240W
Ripple & noise (max)	<500mVp-p	<500mVp-p
Setup, rise time	1500ms/120VAC	1500ms/120VAC
Line regulation	1%	1%
Load regulation	1%	1%
INPUT		
Voltage	170~250V	170~250V
Frecuency	50/60Hz	50/60Hz
Efficiency	85%	85%
Power factor	0.6	0.6
Current	230V:2.8A max.	230V:2.8A max.
Inrush current	40A	40A
PROTECTION		
Open circuit	Yes, cut-off mode. Output shuts down if overloaded	
Short circuit	Yes, output shut down, recovers automatically after fault condition is removed	
ENVIRONMENT AND OTHERS		
Working temperature	-30~60°C	-30~60°C
Working humidity	20~95%RH	20~95%RH
Storage temp.	-40~80°C	-40~80°C
Storage humidity	10~95%RH	10~95%RH
Life spam	50K hours @ 20 °C working temperature	50K hours @ 20 °C working temperature
STANDARD REQUEST		
Safety	EN61347-2-13	
Withstand voltage	I/P-0/P:1500VAC/1min/<5mA	
Isolation resistance	I/P-0/P:>100M Ohms / 500VDC / 25°C / 70%RH	
DIMENSIONES	199x97.5x44.5 mm	



FUENTE SWITCHING 360W



De fácil instalación gracias a su tamaño compacto.
Alta eficiencia de transferencia.
100% Loaded. Protección contra corto-circuito.

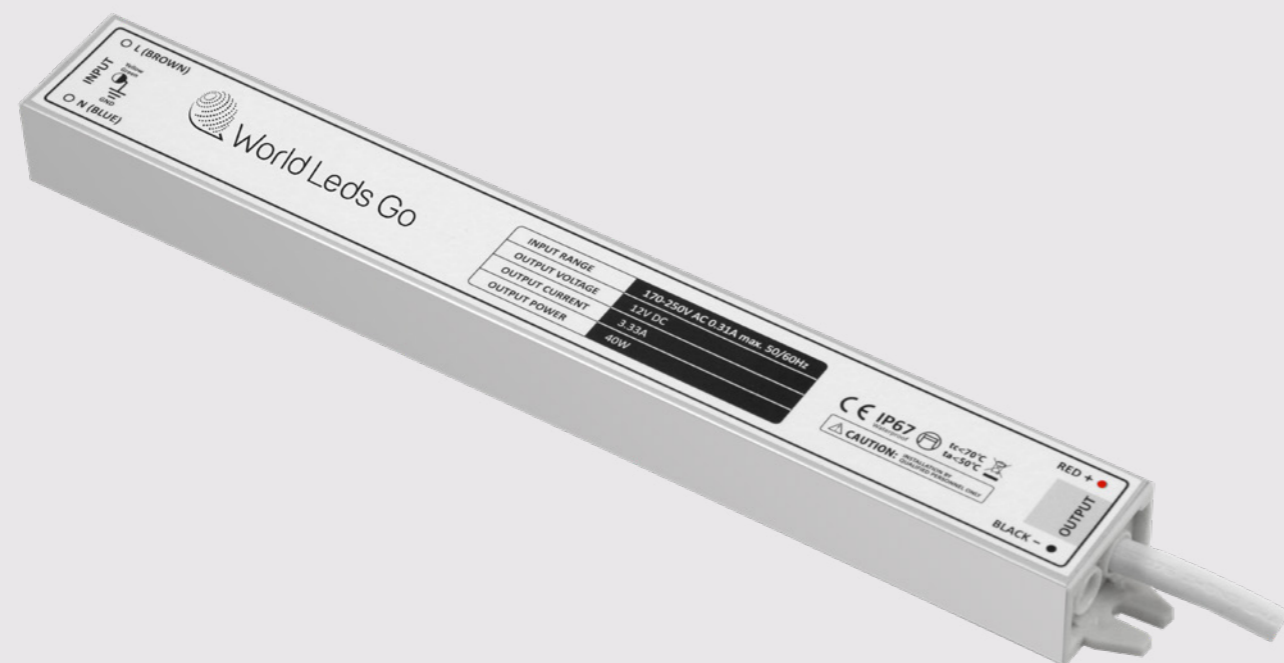
VOLTAJE DE SALIDA 12V / 24V CARGA 360 W EFICIENCIA 83%

FUENTE SWITCHING 360W

ESPECIFICACIONES TÉCNICAS

CÓDIGO	8PS120360DCU	8PS240360DCU
DC Voltage	12V	24V
Rated current	30A	15A
Rated power	360W	360W
Ripple & noise (max)	<120mVp-p	<120mVp-p
Setup, rise time	1500ms/230VAC	1500ms/230VAC
Line regulation	1%	1%
Load regulation	1%	1%
INPUT		
Voltage	170-250V	170-250V
Frecuency	50/60Hz	50/60Hz
Efficiency	83%	83%
Power factor	0.6	0.6
Current	230V:3.2A max.	230V:3.2A max.
Inrush current	40A	40A
PROTECTION		
Open circuit	Yes, cut-off mode. Output shuts down if overloaded.	
Short circuit	Yes, output shut down, recovers automatically after fault condition is removed.	
ENVIRONMENT AND OTHERS		
Working temperature	-30-60°C	-30-60°C
Working humidity	20-95%RH	20-95%RH
Storage temp.	-40-80°C	-40-80°C
Storage humidity	10-95%RH	10-95%RH
Life spam	50K hours @ 20 °C working temperature	50K hours @ 20 °C working temperature
STANDARD REQUEST		
Safety	EN61347-2-13	EN61347-2-13
Withstand voltage	I/P-0/P:1500VAC/1min/<5mA	I/P-0/P:1500VAC/1min/<5mA
Isolation resistance	I/P-0/P:>100M Ohms / 500VDC / 25°C / 70%RH	I/P-0/P:>100M Ohms / 500VDC / 25°C / 70%RH
DIMENSIONES	215x114x49 mm	

FUENTE WATERPROOF 40W



De fácil instalación gracias a su tamaño compacto.
Alta eficiencia de transferencia.
100% Loaded. Protección contra corto-circuito.

VOLTAJE DE SALIDA 12V / 24V CARGA 40 W EFICIENCIA 80% IP67

FUENTE WATERPROOF 40W

ESPECIFICACIONES TÉCNICAS

CÓDIGO	8PW120040DCU	8PW240040DCU
DC Voltage	12V	24V
Rated current	3.3A	1.67A
Rated power	40W	40W
Ripple & noise (max)	<100mVp-p	<100mVp-p
Setup, rise time	1500ms/230VAC	1500ms/230VAC
Line regulation	1%	1%
Load regulation	1%	1%
INPUT		
Voltage	170~250V	170~250V
Frecuency	50/60Hz	50/60Hz
Efficiency	80%	80%
Power factor	0.6	0.6
Current	230V:0.36A max.	230V:0.36A max.
Inrush current	40A	40A
PROTECTION		
Open circuit	Yes, active when loading is over 110~120%. Output voltage drops if overloaded.	
Short circuit	Yes, hiccup mode, recovers automatically after fault condition is removed.	
ENVIRONMENT AND OTHERS		
Working temperature	-30~50°C	-30~50°C
Working humidity	20~95%RH	20~95%RH
Storage temp.	-40~80°C	-40~80°C
Storage humidity	15~95%RH	15~95%RH
Life spam	50K hours @ 20 °C working temperature.	50K hours @ 20 °C working temperature
STANDARD REQUEST		
Safety	EN61347-2-13	EN61347-2-13
Withstand voltage	I/P-0/P:3750VAC/1min/<5mA	I/P-0/P:3750VAC/1min/<5mA
Isolation resistance	I/P-0/P:>100M Ohms / 500VDC / 25°C / 70%RH	I/P-0/P:>100M Ohms / 500VDC / 25°C / 70%RH
DIMENSIONES	242x29x21 mm	



FUENTE WATERPROOF 60W



De fácil instalación gracias a su tamaño compacto.
Alta eficiencia de transferencia.
100% Loaded. Protección contra corto-circuito.

VOLTAJE DE SALIDA 12V / 24V CARGA 60 W EFICIENCIA 85% IP67

FUENTE WATERPROOF 60W

ESPECIFICACIONES TÉCNICAS

CÓDIGO	8PW120060DCU	8PW240060DCU
DC Voltage	12V	24V
Rated current	5A	2.5A
Rated power	60W	60W
Ripple & noise (max)	<100mVp-p	<100mVp-p
Setup, rise time	1500ms/230VAC	1500ms/230VAC
Line regulation	1%	1%
Load regulation	1%	1%
INPUT		
Voltage	170-250V	170-250V
Frecuency	50/60Hz	50/60Hz
Efficiency	85%	85%
Power factor	0.6	0.6
Current	230V:0.48A max.	230V:0.48A max.
Inrush current	40A	40A
PROTECTION		
Open circuit	Yes, active when loading is over 110-120%. Output voltage drops if overloaded.	
Short circuit	Yes, hiccup mode, recovers automatically after fault condition is removed.	
ENVIRONMENT AND OTHERS		
Working temperature	-30-50°C	-30-50°C
Working humidity	20-95%RH	20-95%RH
Storage temp.	-40-80°C	-40-80°C
Storage humidity	10-95%RH	10-95%RH
Life spam	50K hours @ 20 °C working temperature.	50K hours @ 20 °C working temperature
STANDARD REQUEST		
Safety	EN61347-2-13	EN61347-2-13
Withstand voltage	I/P-0/P:3750VAC/1min/<5mA	I/P-0/P:3750VAC/1min/<5mA
Isolation resistance	I/P-0/P:>100M Ohms / 500VDC / 25°C / 70%RH	I/P-0/P:>100M Ohms / 500VDC / 25°C / 70%RH
DIMENSIONES	195x52x35 mm	



FUENTE WATERPROOF 100W



De fácil instalación gracias a su tamaño compacto.
Alta eficiencia de transferencia.
100% Loaded. Protección contra corto-circuito.

VOLTAJE DE SALIDA 12V / 24V CARGA 100 W EFICIENCIA 90% IP67

FUENTE WATERPROOF 100W

ESPECIFICACIONES TÉCNICAS

CÓDIGO	8PW120100DCU	8PW240100DCU
DC Voltage	12V	24V
Rated current	8.33A	4.17A
Rated power	100W	100W
Ripple & noise (max)	<100mVp-p	<100mVp-p
Setup, rise time	1500ms/230VAC	1500ms/230VAC
Line regulation	1%	1%
Load regulation	1%	1%
INPUT		
Voltage	170-250V	170-250V
Frecuency	50/60Hz	50/60Hz
Efficiency	90%	90%
Power factor	0.6	0.6
Current	230V:0.72A max.	230V:0.72A max.
Inrush current	40A	40A
PROTECTION		
Open circuit	Yes, active when loading is over 110-120%. Output voltage drops if overloaded.	
Short circuit	Yes, hiccup mode, recovers automatically after fault condition is removed.	
ENVIRONMENT AND OTHERS		
Working temperature	-30-50°C	-30-50°C
Working humidity	20-95%RH	20-95%RH
Storage temp.	-40-80°C	-40-80°C
Storage humidity	10-95%RH	10-95%RH
Life spam	50K hours @ 20 °C working temperature.	50K hours @ 20 °C working temperature
STANDARD REQUEST		
Safety	EN61347-2-13	EN61347-2-13
Withstand voltage	I/P-0/P:3000VAC/1min/<5mA	I/P-0/P:3000VAC/1min/<5mA
Isolation resistance	I/P-0/P:>100M Ohms / 500VDC / 25°C / 70%RH	I/P-0/P:>100M Ohms / 500VDC / 25°C / 70%RH
DIMENSIONES	218x40x22 mm	218x40x22

FUENTE WATERPROOF 150W



De fácil instalación gracias a su tamaño compacto.
Alta eficiencia de transferencia.
100% Loaded. Protección contra corto-circuito.

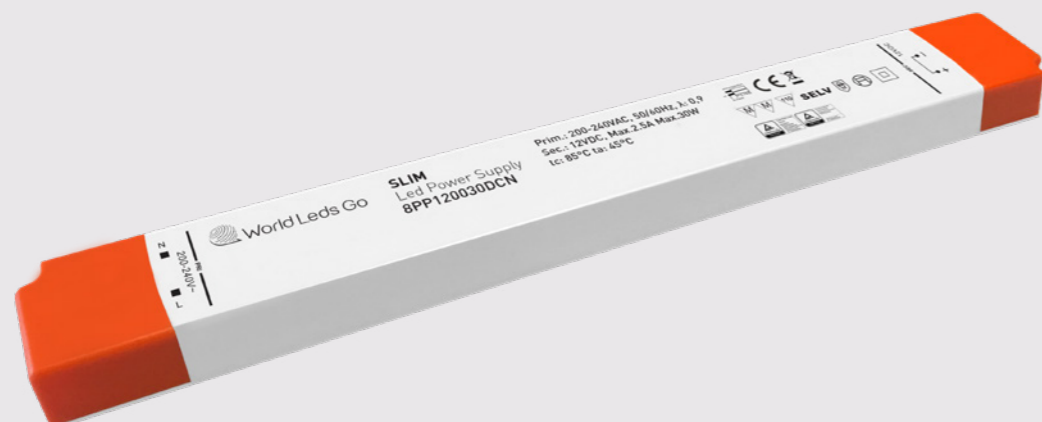
VOLTAJE DE SALIDA 12V / 24V CARGA 150 W EFICIENCIA 87% IP67

FUENTE WATERPROOF 150W

ESPECIFICACIONES TÉCNICAS

CÓDIGO	8PW120150DCU	8PW240150DCU
DC Voltage	12V	24V
Rated current	12.5A	6.25A
Rated power	150W	150W
Ripple & noise (max)	<100mVp-p	<100mVp-p
Setup, rise time	1500ms/230VAC	1500ms/230VAC
Line regulation	1%	1%
Load regulation	1%	1%
INPUT		
Voltage	170~250V	170~250V
Frecuency	50/60Hz	50/60Hz
Efficiency	87%	87%
Power factor	0.6	0.6
Current	230V:1.25A max.	230V:1.25A max.
Inrush current	40A	40A
PROTECTION		
Open circuit	Yes, cut-off mode, output shuts down if over-loaded.	
Short circuit	Yes, hiccup mode, recovers automatically after fault condition is removed.	
ENVIRONMENT AND OTHERS		
Working temperature	-30~50°C	-30~50°C
Working humidity	20~95%RH	20~95%RH
Storage temp.	-40~80°C	-40~80°C
Storage humidity	10~95%RH	10~95%RH
Life span	50K hours @ 20 °C working temperature.	50K hours @ 20 °C working temperature
STANDARD REQUEST		
Safety	EN61347-2-13	EN61347-2-13
Withstand voltage	I/P-0/P:3750VAC/1min/<5mA	I/P-0/P:3750VAC/1min/<5mA
Isolation resistance	I/P-0/P:>100M Ohms / 500VDC / 25°C / 70%RH	I/P-0/P:>100M Ohms / 500VDC / 25°C / 70%RH
DIMENSIONES	242x71x45 mm	

FUENTE SLIM 30W



Diseño extra fino.
Ideal para su uso en iluminación lineal o perfilera.

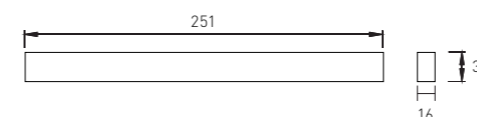
VOLTAJE DE SALIDA 12V / 24V CARGA 30 W EFICIENCIA 85%

FUENTE SLIM 30W

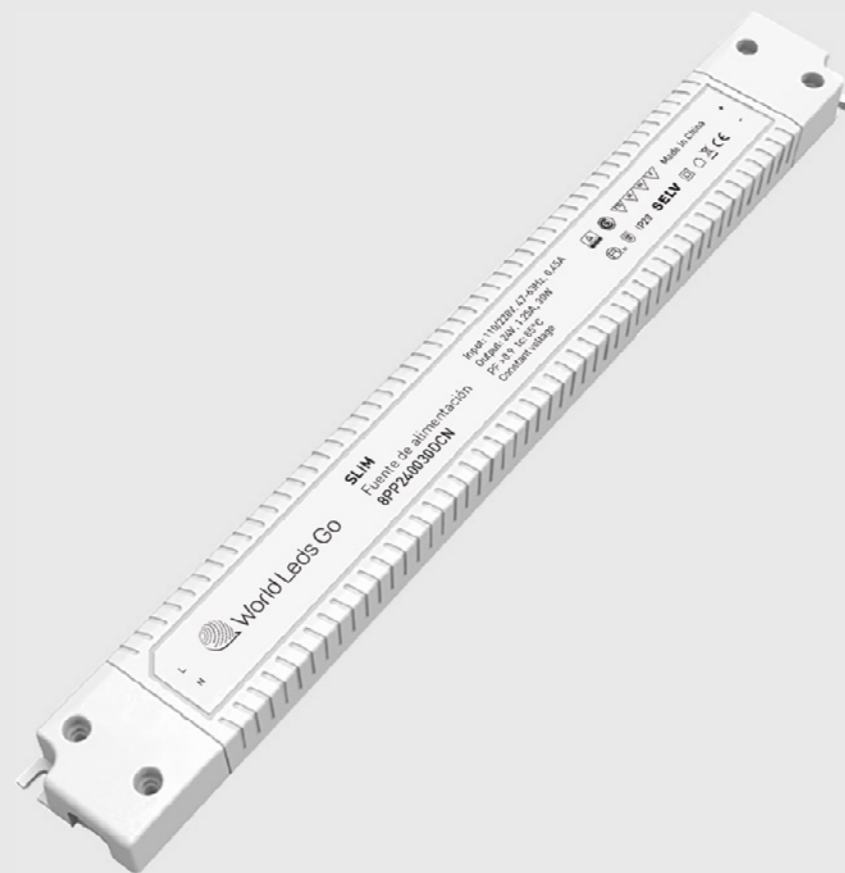
ESPECIFICACIONES TÉCNICAS

CÓDIGO	8PP120030DCN	8PP240030DCN
OUTPUT		
DC Voltage	12V±5%	24V±5%
Rated current	2.5A	1.25A
Rated power	30W	30W
Ripple & noise	250mV	250mV
Setup, rise time	<0.5S @180Vac 50Hz	<0.5S @180Vac 50Hz
Line regulation	-	-
Load regulation	30W	30W
INPUT		
Voltage	AC200-240V	AC200-240V
Frecuency	50/60Hz	50/60Hz
Efficiency	85%	85%
Power factor	≥0.90	≥0.90
Current	<0.22A	<0.22A
Inrush current	<60A	<60A
PROTECTION		
Open circuit	-	-
Short circuit	Yes. Ta, input 0.94-1.06 times rated voltage, output short circuit for 1hr	
ENVIRONMENT AND OTHERS		
Working temperature	-20~45°C	-20~45°C
Working humidity	45~85%	45~85%
Storage temp.	-	-
Storage humidity	-	-
Life spam	30000hr	30000hr
STANDARD REQUEST		
Safety	IEC61347-1 IEC61347-2-13	IEC61347-1 IEC61347-2-13
Withstand voltage	-	-
Isolation resistance	-	-

DIMENSIONES (mm)



FUENTE SLIM 2.0 30W



Diseño extra fino.
Ideal para su uso en iluminación lineal o perfilearía.
THD <20%.

VOLTAJE DE SALIDA **24V** CARGA **30W** EFICIENCIA **86%**

FUENTE SLIM 2.0 30W

ESPECIFICACIONES TÉCNICAS

CÓDIGO 8PP240030DCN

OUTPUT

DC Voltage	24VDC ±5%
Rated current	1.25A
Rated power	30W
Setup, rise time	<15% @220Vac 50Hz Full load
Line regulation	-
Load regulation	30W

INPUT

Voltage	AC220-240V
Frecuency	50~60Hz
Efficiency	86%
Power factor	>0.95
Current	0.2A
Inrush current	<60A
THD	<20%

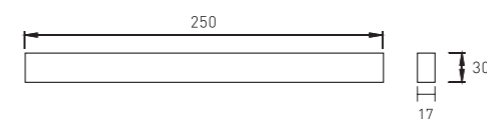
PROTECTION

Short circuit	Hiccup, remove fault and recover
Over voltage	Hiccup, remove fault and recover
Over current	Hiccup, remove fault and recover

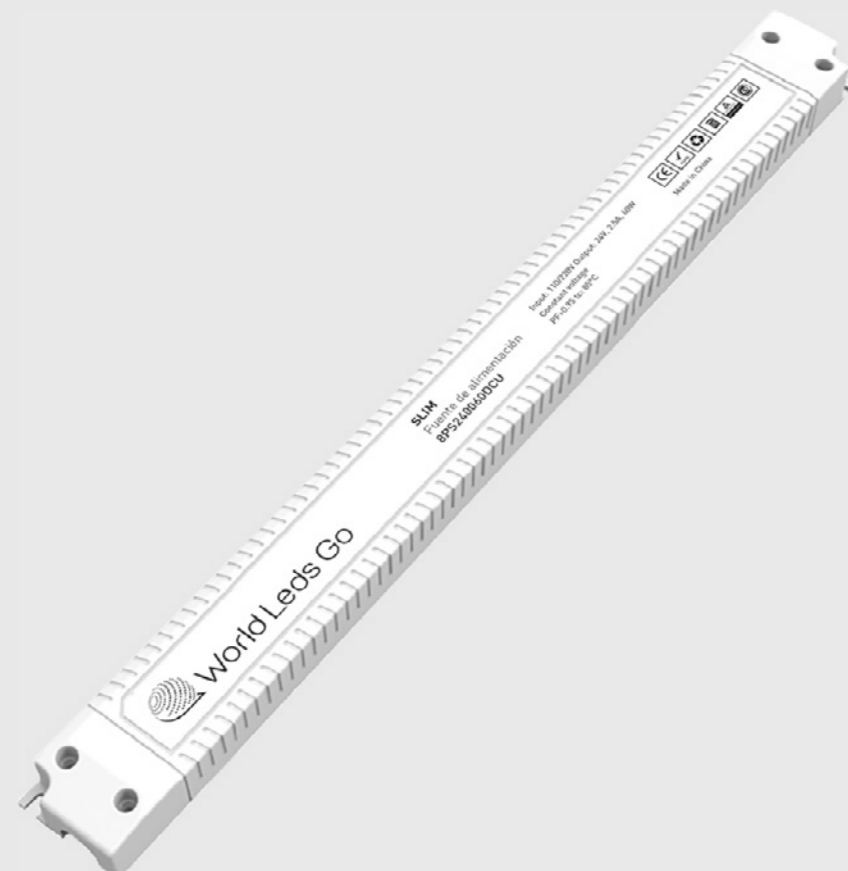
ENVIRONMENT AND OTHERS

Working temperature	-20~+50°C
Working humidity	20~90%
Storage temp.	-40°C~85°C
IP	20
Life spam	50000hr

DIMENSIONES (mm)



FUENTE SLIM 2.0 60W



Diseño extra fino.
Ideal para su uso en iluminación lineal o perfilera.
THD <20%.

VOLTAJE DE SALIDA **24V** CARGA **60W** EFICIENCIA **91%**

FUENTE SLIM 2.0 60W

ESPECIFICACIONES TÉCNICAS

CÓDIGO 8PS240060DCU

OUTPUT

DC Voltage	24VDC ±5%
Rated current	2.5A
Rated power	60W
Setup, rise time	<15% @220Vac 50Hz Full load
Line regulation	-
Load regulation	60W

INPUT

Voltage	AC220-240V
Frecuency	50-60Hz
Efficiency	91%
Power factor	>0.95
Current	0.35A
Inrush current	<60A
THD	<20%

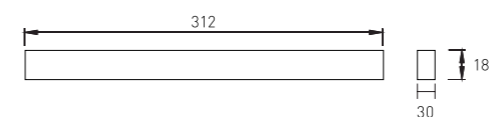
PROTECTION

Short circuit	Hiccup, remove fault and recover
Over voltage	Hiccup, remove fault and recover
Over current	Hiccup, remove fault and recover

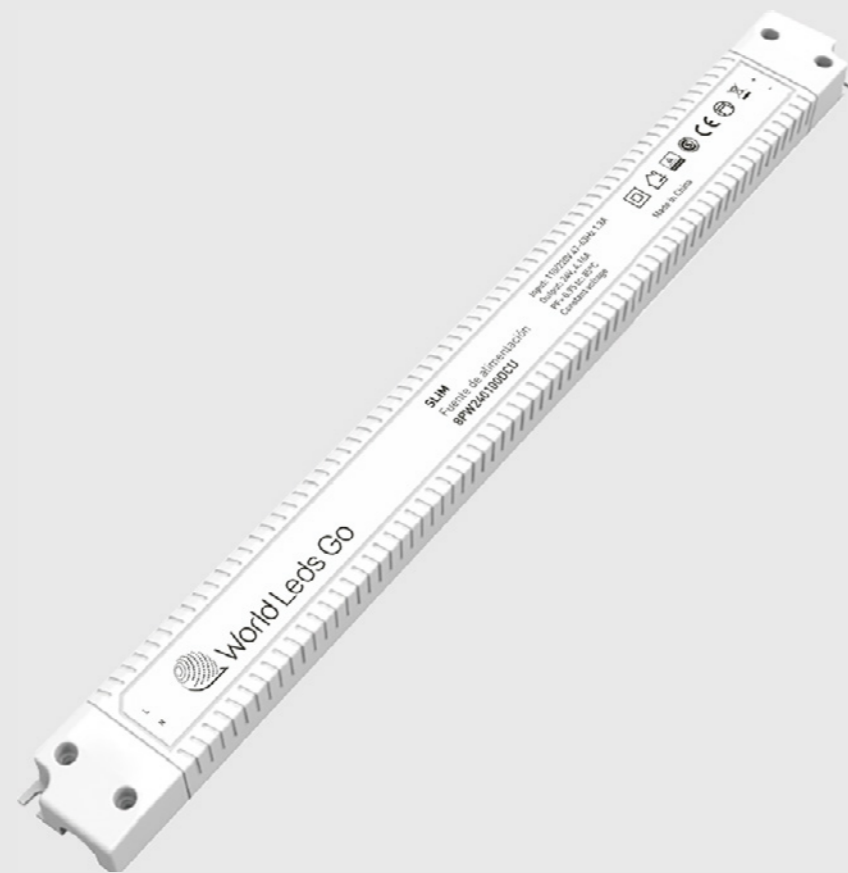
ENVIRONMENT AND OTHERS

Working temperature	-20~+50°C
Working humidity	20-90%
Storage temp.	-40°C~85°C
IP	20
Life spam	50000hr

DIMENSIONES (mm)



FUENTE SLIM 2.0 100W



Diseño extra fino.
Ideal para su uso en iluminación lineal o perfilera.
THD <20%.

VOLTAJE DE SALIDA **24V** CARGA **100W** EFICIENCIA **92%**

FUENTE SLIM 2.0 100W

ESPECIFICACIONES TÉCNICAS

CÓDIGO 8PP240100DCN

OUTPUT

DC Voltage	24VDC ±5%
Rated current	4.16A
Rated power	100W
Setup, rise time	<15% @220Vac 50Hz Full load
Line regulation	-
Load regulation	100W

INPUT

Voltage	AC220-240V
Frecuency	50-60Hz
Efficiency	92%
Power factor	>0.95
Current	0.6A
Inrush current	<60A
THD	<20%

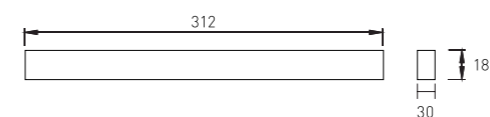
PROTECTION

Short circuit	Hiccup, remove fault and recover
Over voltage	Hiccup, remove fault and recover
Over current	Hiccup, remove fault and recover

ENVIRONMENT AND OTHERS

Working temperature	-20~+50°C
Working humidity	20-90%
Storage temp.	-40°C~85°C
IP	20
Life spam	50000hr

DIMENSIONES (mm)



FUENTE DIMERIZABLE DALI 150W



Efecto dimerizable suave y sin parpadeo. 100% Loaded.
Protección contra corto-circuito y sobretensión.

VOLTAJE DE SALIDA 24V

CARGA 150 W

EFICIENCIA 92%



FUENTE DALI 150W

ESPECIFICACIONES TÉCNICAS

CÓDIGO

8PD240150DCD

OUTPUT

Output Channel	1 Channel
Output Voltage	24VDC
Output Power	150W
Output Current/Each Channel	6.25A

FEATURES

Efficiency	Up to 92%
Power factor	>0.95 (115VAC)
Protection	OCP, OVP, SCP

INPUT

Input Voltage	100-240VAC
Input current	2A
Input Frequency	50/60HZ

ENVIRONMENT AND OTHERS

Working temperature	-30~50°C
Size	196mm x 75mm x 40mm

INSTRUCCIONES

TOUCH DIM FUNCTION INSTRUCTIONS

- 1- Short press the Touch DIM switch (<0.5s) to control the lamp on or off
- 2- Long press the Touch DIM switch (>0.5s) to dim the brightness of light; The dimming direction will change every time after pressing switch
- 3- When the light being turned off, long press the Touch DIM switch can turn on the light and adjust it's brightness according to the dimming direction
- 4- The brightness adjustment range is 1%-100%, and the light can be turned off through short pressing when do the adjustment with long pressing Touch DIM switch
- 5- Power off memory function, the power-down state before will be maintained when power on again

PRODUCT INSTALLATION NOTES

- 1- Remark: DALI and Touch DIM functions cannot be used simultaneously, which can be controlled respectively by using DALI controllers or the equipments with Touch DIM function
- 2- Please read the Connection diagram before installation.
- 3- Please use the wire according to the specification defined.
- 4- Please firstly pressure the cap of connector down and insert the wire during connecting, after connecting please check whether the wire is insert firmly.
- 5- In order to avoid the damage of the equipment, please check the connecting before power on.

DIMENSIONES

196x75x40 mm

FUENTE DIMERIZABLE 1-10V 75W



Efecto dimerizable suave y sin parpadeo. 100% Loaded.
Protección contra corto-circuito y sobretensión.

VOLTAJE DE SALIDA 12V / 24V CARGA 75 W EFICIENCIA 90% PF 0,9

FUENTE DIMERIZABLE 1-10V 75W

ESPECIFICACIONES TÉCNICAS

CÓDIGO	8PD120075DC1	8PD240075DC1
OUTPUT		
DC Voltage	12V	24V
Rated current	6.2A	3.1A
Rated power	75W	75W
Ripple & noise (max)	200MV	240MV
Setup, rise time	<1.5S	<1.5S
Line regulation	<3%	<3%
Load regulation	<5%	<5%
INPUT		
Voltage	200~240V	200~240V
Frecuency	50/60Hz	50/60Hz
Efficiency	86%@230VAC FULL LOAD	>90%@230VAC FULL LOAD
Power factor	0.9	0.9
Current	0.9A@230VAC	0.9A@230VAC
Inrush current	Cold start 40A@230VAC	Cold start 40A@230VAC
PROTECTION		
Open circuit	-	-
Short circuit	Yes	Yes
ENVIRONMENT AND OTHERS		
Working temperature	-20~50°C	-20~50°C
Working humidity	20~90%RH	20~90%RH
Storage temp.	-40~80°C	-40~80°C
Storage humidity	5~95%	5~95%
Life spam	3 Years	3 Years
STANDARD REQUEST		
Safety	-	-
Withstand voltage	Input-Ground:1500VAC	Input-Ground:1500VAC
Isolation resistance	>5MΩ	>5MΩ
DIMENSIONES	203.4x53.9x32.6 mm	



FUENTE DIMERIZABLE 1-10V 150W



Efecto dimerizable suave y sin parpadeo. 100% Loaded.
Protección contra corto-circuito y sobretensión.

VOLTAJE DE SALIDA 12V / 24V CARGA 150 W EFICIENCIA 90% PF 0,9

FUENTE DIMERIZABLE 1-10V 150W

ESPECIFICACIONES TÉCNICAS

CÓDIGO	8DP120150DC1	8DP240150DC1
OUTPUT		
DC Voltage	12V	24V
Rated current	12.5A	6.3A
Rated power	150W	150W
Ripple & noise (max)	240MV	240MV
Setup, rise time	<1.5S	<1.5S
Line regulation	<3%	<3%
Load regulation	<5%	<5%
INPUT		
Voltage	100~240V	100~240V
Frecuency	50/60Hz	50/60Hz
Efficiency	90%	90%
Power factor	≥0.9	>0.95 (@115V)
Current	1.7Amax@100VAC	2A@230VAC
Inrush current	30A@230VAC	30A@230VAC
PROTECTION		
Open circuit	-	-
Short circuit	No	No
ENVIRONMENT AND OTHERS		
Working temperature	-30~40°C	-30~40°C
Working humidity	20~90%RH	20~90%RH
Storage temp.	-40~80°C	-40~80°C
Storage humidity	5~95%	5~95%
Life spam	3 Years	3 Years
STANDARD REQUEST		
Safety	61347	61347
Withstand voltage	Input-Ground:1500VAC Input-output:3000VAC	Input-Ground:1500VAC Input-output:3000VAC
Isolation resistance	>5MΩ	>5MΩ
DIMENSIONES	196x75x40 mm	



FUENTE DIMERIZABLE TRIAC 150W



Efecto dimerizable suave y sin parpadeo. 100% Loaded.
Protección contra corto-circuito y sobretensión.

VOLTAJE DE SALIDA 12V / 24V CARGA 150 W EFICIENCIA 89% PF 0,9

FUENTE DIMERIZABLE TRIAC 150W

ESPECIFICACIONES TÉCNICAS

CÓDIGO	8PD120150DCT	8PD240150DCT
DC Voltage	12V	24V
Rated current	12.5A	6.3A
Rated power	150W	150W
Ripple & noise (max)	200MV	240MV
Setup, rise time	<1.5S	<1.5S
Line regulation	<3%	<3%
Load regulation	<5%	<5%
INPUT		
Voltage	200~240V	200~240V
Frecuency	50/60Hz	50/60Hz
Efficiency	87%	89%
Power factor	0.9	0.9
Current	2A@230VAC	2A@230VAC
Inrush current	45A@230VAC	45A@230VAC
PROTECTION		
Open circuit	-	-
Short circuit	No	No
ENVIRONMENT AND OTHERS		
Working temperature	-20~50°C	-20~50°C
Working humidity	20~90%RH	20~90%RH
Storage temp.	Below zero40~80°C	Below zero40~80°C
Storage humidity	5~95%	5~95%
Life spam	3 Years	3 Years
STANDARD REQUEST		
Safety	-	-
Withstand voltage	Input-Ground:1500VAC	Input-Ground:1500VAC
Isolation resistance	>5MΩ	>5MΩ
DIMENSIONES	260x78.3x45 mm	